



Similar Image



Ceramic break insulator

NW-40 high voltage (15 KV) insulator

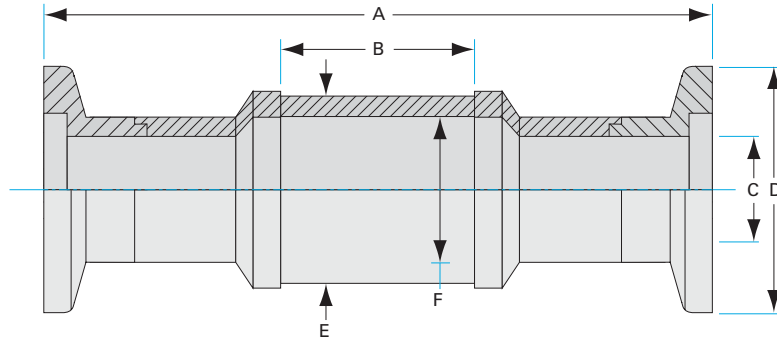
Part number: HVI-NW-40-15

Ceramic break insulator
NW-40 high voltage (15 KV) insulator

- Maximum Voltage 3KV-15KV depending on size
- 304 Stainless Steel Flanges
- Kovar Sleeve
- Ceramic Insulator
- Metal Seal to 450°C
- Elastomer Seal to 200°C



Similar Image



Dimensions <i>(in inches)</i>	
Dim A	4.20"
Dim B	2.00"
Dim C	1.37"
Dim D	2.73"
Dim E	1.64"
Dim F	1.25"

HVI-NW-40-15

Parameters	Specifications
Insulator Type	High Voltage
Flange Size / Type	DN 40 ISO-KF
Sleeve Material	Kovar
Insulator Material	Alumina Ceramic
Flange Material	304 Stainless
Vacuum Range	1 · 10 ⁻⁹ mbar to 1 bar (high vacuum)
Temperature Range	-20 °C to 200 °C
Voltage Rating	30 KV
Weight	1.25 lbs

VACUUM SOLUTIONS FOR INDUSTRY & RESEARCH

Nor-Cal Products is a premier global source for custom and standard high and ultra-high vacuum chambers and components critical to the success of industrial, semiconductor, coating, analytics, and research applications. We offer an extensive selection of vacuum line fittings, hardware, valves and components which complement our custom manufacturing capabilities.

EARNING YOUR TRUST

Innovative engineering, precision manufacturing, exceptional service and expert technical support are cornerstones of our corporate culture and continuous improvement goals. Your trust is our most important asset.

INNOVATION SINCE 1962

An added value to working with Nor-Cal Products is how we apply our vacuum science and industry expertise to your production and research goals and timelines. We continue to develop new component lines and services to serve the demands of the exciting and ever emerging applications that require vacuum components.

Nor-Cal Products

Headquarters: USA

1-800-824-4166 or 530-842-4457

nccsales@n-c.com

www.n-c.com



RoHS2/REACH compliant
Conflict mineral regulations enforced

All data subject to change without prior notice.

Nor-Cal Products



by PFEIFFER VACUUM