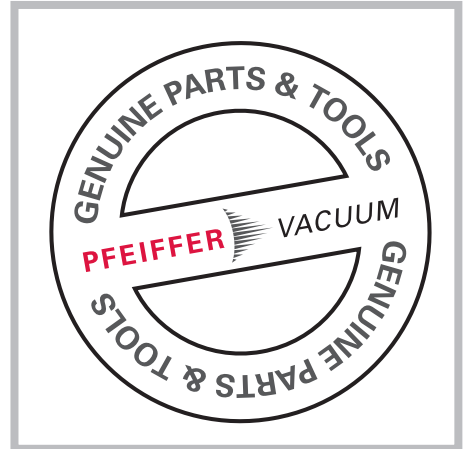




Particle Trap, FTPS-80724

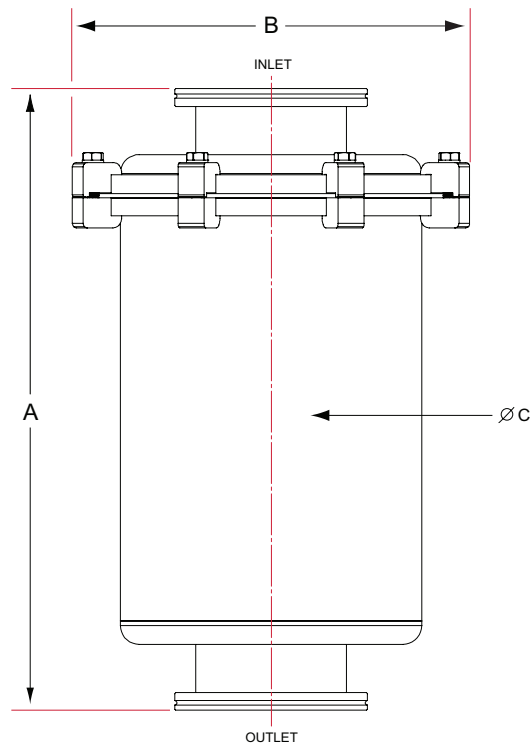




FTPS-80724

- Particle Trap
- Traps particles and condensable vapors
- Reduces hydrocarbon backstreaming from oil-sealed pumps

Technical Data	FTPS-80724
Trap Type	Particle Trap
Sieve Material	Fiberglass
Port Orientation	In-Line
Flange Size/Type	ISO80
Nominal Body OD	8" (200mm)
Body Material	304 Stainless Steel
Seal Material	FKM
Claw Clamps	Aluminum
Vacuum Range	$> 1 \times 10^{-8}$ mbar to 1 bar
Temperature Range	-20°C to 150°C
Weight	17 lbs



	inches (mm)
Dimension A	16.5 (419)
Dimension B	11.1 (283)
Dimension C	8 (200)

Your Success. Our Passion.

We give our best for you every day –
worldwide!



Pfeiffer Vacuum Valves & Engineering
1967 S Oregon St, Yreka, CA - USA
pvvesales.us@pfeiffer-vacuum.com
+1 800 824 4166

Follow us on social media
#pfeiffervacuum



www.n-c.pfeiffer-vacuum.com

PFEIFFER  **VACUUM**