



Similar Image



ISO-K blank flange

ISO-63 OF blank flange

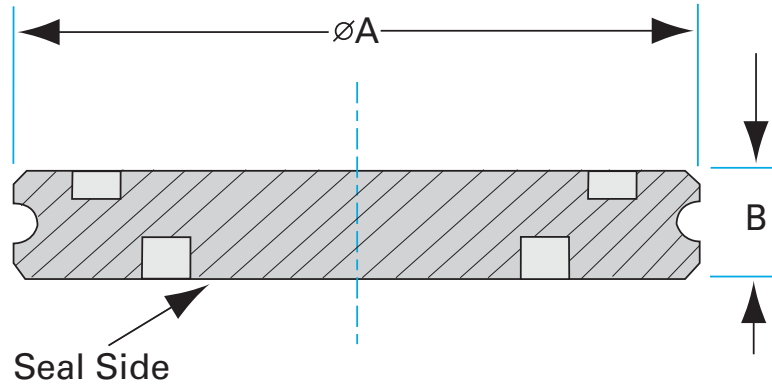
Part number: ISO-63-000-OF

ISO-K blank flange
ISO-63 OF blank flange

- ISO-K and ISO-F flanges are manufactured in accordance with DIN 28404 and ISO 1609
- Most common standard lengths and sizes listed
- Many others available
- Contact us at 800-824-4166 if you can't find exactly what you need



Similar Image



Dimensions (in inches)	
Dim A	3.74"
Dim B	0.470"
Dim C	blank

ISO-63-000-OF

Parameters	Specifications
Flange Size	DN 63 ISO-K
Type	Blank
Material	304 stainless
Bore	blank
Thickness	0.470"
Vacuum Range	FKM: $1 \cdot 10^{-8}$ mbar to 1 bar Metal seal: $1 \cdot 10^{-10}$ mbar to 1 bar
Temperature Range	FKM: -20 °C to 180 °C Metal seal: -270 °C to 150 °C
Weight	1.49 lbs

VACUUM SOLUTIONS FOR INDUSTRY & RESEARCH

Nor-Cal Products is a premier global source for custom and standard high and ultra-high vacuum chambers and components critical to the success of industrial, semiconductor, coating, analytics, and research applications. We offer an extensive selection of vacuum line fittings, hardware, valves and components which complement our custom manufacturing capabilities.

EARNING YOUR TRUST

Innovative engineering, precision manufacturing, exceptional service and expert technical support are cornerstones of our corporate culture and continuous improvement goals. Your trust is our most important asset.

INNOVATION SINCE 1962

An added value to working with Nor-Cal Products is how we apply our vacuum science and industry expertise to your production and research goals and timelines. We continue to develop new component lines and services to serve the demands of the exciting and ever emerging applications that require vacuum components.

Nor-Cal Products
Headquarters: USA
1-800-824-4166 or 530-842-4457
ncsales@n-c.com
www.n-c.com



RoHS2/REACH compliant
Conflict mineral regulations enforced

All data subject to change without prior notice.

