



Similar Image



Weld tee

4" OD tee, 4.87" port length, tumble finish

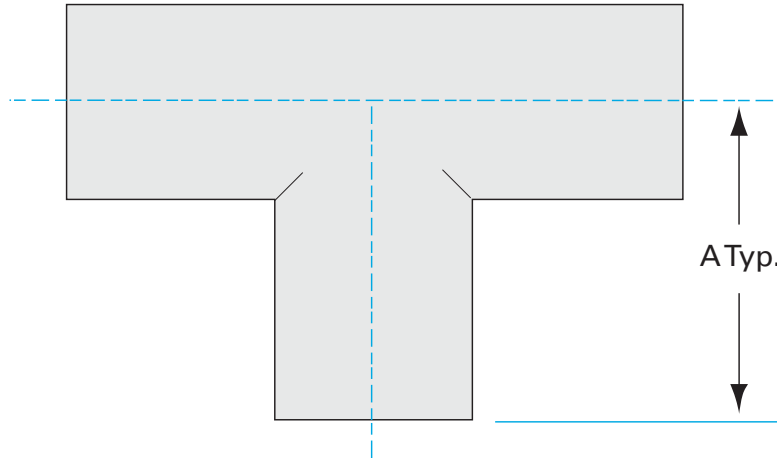
Part number: **G-7W-400V**

Weld tee
4" OD tee, 4.87" port length, tumble finish

- Use welded fittings and tubing to create unique pump line geometries
- Fittings with extended tangents ideal for orbital welders
- Contact us at 800-824-4166 to find out about Nor-Cal's custom weldment offerings



Similar Image



Dimensions <i>(in inches)</i>	
Dim A	4.87"
Dim C	0.083"

G-7W-400V

Parameters	Specifications
Tube OD	4"
Tee Type	Standard
Material	304 stainless
Port Length	4.87"
Wall Thickness	0.083"
Finish	Tumble
Vacuum Range	1 · 10 ⁻¹³ mbar to 1 bar
Temperature Range	-200 °C to 450 °C
Weight	3.4 lbs

VACUUM SOLUTIONS FOR INDUSTRY & RESEARCH

Nor-Cal Products is a premier global source for custom and standard high and ultra-high vacuum chambers and components critical to the success of industrial, semiconductor, coating, analytics, and research applications. We offer an extensive selection of vacuum line fittings, hardware, valves and components which complement our custom manufacturing capabilities.

EARNING YOUR TRUST

Innovative engineering, precision manufacturing, exceptional service and expert technical support are cornerstones of our corporate culture and continuous improvement goals. Your trust is our most important asset.

INNOVATION SINCE 1962

An added value to working with Nor-Cal Products is how we apply our vacuum science and industry expertise to your production and research goals and timelines. We continue to develop new component lines and services to serve the demands of the exciting and ever emerging applications that require vacuum components.

Nor-Cal Products
Headquarters: USA
1-800-824-4166 or 530-842-4457
ncsales@n-c.com
www.n-c.com



RoHS2/REACH compliant
Conflict mineral regulations enforced

All data subject to change without prior notice.

