



Similar Image



Weld 45 radius elbow w/ tangents

2" OD 45 degree radius elbow w/tangents, tumble finish,
316L SS

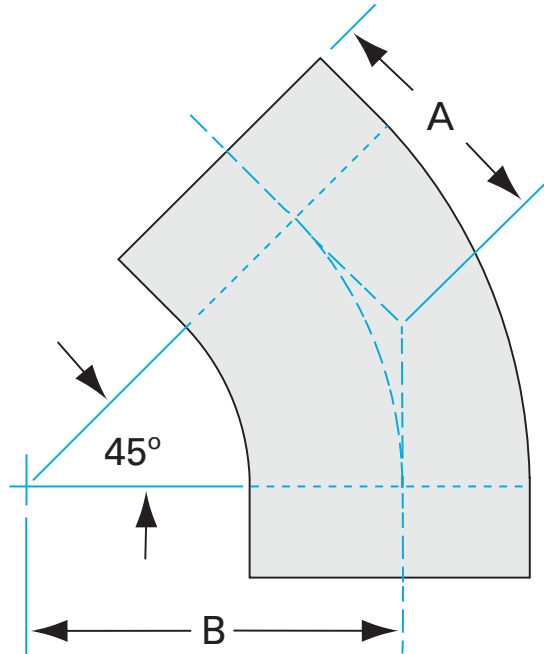
Part number: G-2KL-200-316L

Weld 45 radius elbow w/ tangents
2" OD 45 degree radius elbow w/tangents, tumble finish, 316L SS

- Use welded fittings and tubing to create unique pump line geometries
- Fittings with extended tangents ideal for orbital welders
- Contact us at 800-824-4166 to find out about Nor-Cal's custom weldment offerings



Similar Image



| Dimensions (in inches) | |
|---------------------------|--------|
| Dim A | 1.84" |
| Dim B | 3.00" |
| Dim C | 0.065" |

G-2KL-200-316L

| Parameters | Specifications |
|-------------------|-------------------------------------|
| Tube OD | 2" |
| Elbow Type | Tangent 45 Degree |
| Material | 316L stainless |
| Port Length | 1.84" |
| Wall Thickness | 0.065" |
| Finish | Tumble |
| Vacuum Range | 1 · 10 ⁻¹³ mbar to 1 bar |
| Temperature Range | -200 °C to 450 °C |
| Weight | 0.41 lbs |

VACUUM SOLUTIONS FOR INDUSTRY & RESEARCH

Nor-Cal Products is a premier global source for custom and standard high and ultra-high vacuum chambers and components critical to the success of industrial, semiconductor, coating, analytics, and research applications. We offer an extensive selection of vacuum line fittings, hardware, valves and components which complement our custom manufacturing capabilities.

EARNING YOUR TRUST

Innovative engineering, precision manufacturing, exceptional service and expert technical support are cornerstones of our corporate culture and continuous improvement goals. Your trust is our most important asset.

INNOVATION SINCE 1962

An added value to working with Nor-Cal Products is how we apply our vacuum science and industry expertise to your production and research goals and timelines. We continue to develop new component lines and services to serve the demands of the exciting and ever emerging applications that require vacuum components.

Nor-Cal Products

Headquarters: USA

1-800-824-4166 or 530-842-4457

nccsales@n-c.com

www.n-c.com



RoHS2/REACH compliant
Conflict mineral regulations enforced

All data subject to change without prior notice.

Nor-Cal Products



by PFEIFFER VACUUM